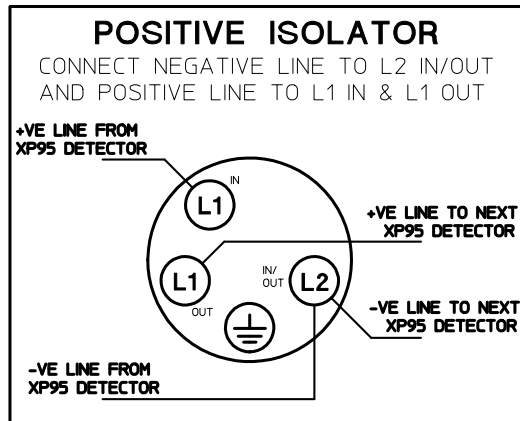
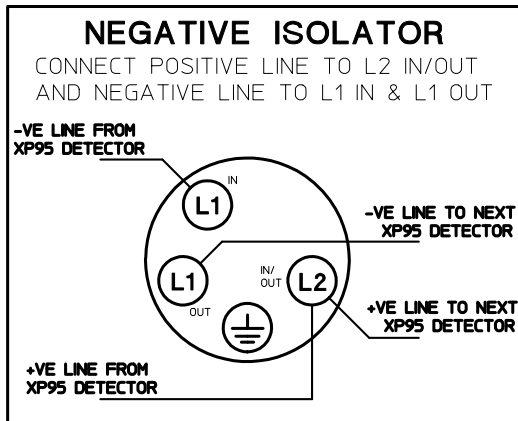




XP95 ISOLATOR BASE

PART No. 45681-211

THESE ISOLATOR BASES ARE FOR USE WITH BOTH POSITIVE AND NEGATIVE TYPE ISOLATORS. THE ISOLATORS WHICH CONNECT TO THIS BASE ARE POLARITY SENSITIVE. BEFORE MAKING CONNECTIONS CONFIRM WHICH TYPE OF ISOLATOR IS BEING USED AND CONNECT IN ACCORDANCE WITH THE APPLICABLE DIAGRAM BELOW.



THE EARTH TERMINAL PROVIDED IS FOR CONTINUITY OF EARTH WIRING OR SCREEN. CONNECTION TO THIS TERMINAL IS NOT REQUIRED FOR OPERATION OF THE BASE OR ISOLATOR CONNECTED TO IT. CONNECTION TO THIS TERMINAL DOES NOT INFER EARTHING OF ANY PART OF THE BASE OR ISOLATOR CONNECTED TO IT.

For full technical information refer to Apollo Engineering Product Guides PP1039 and PP2090, and to any data sheet that accompanies the isolator.