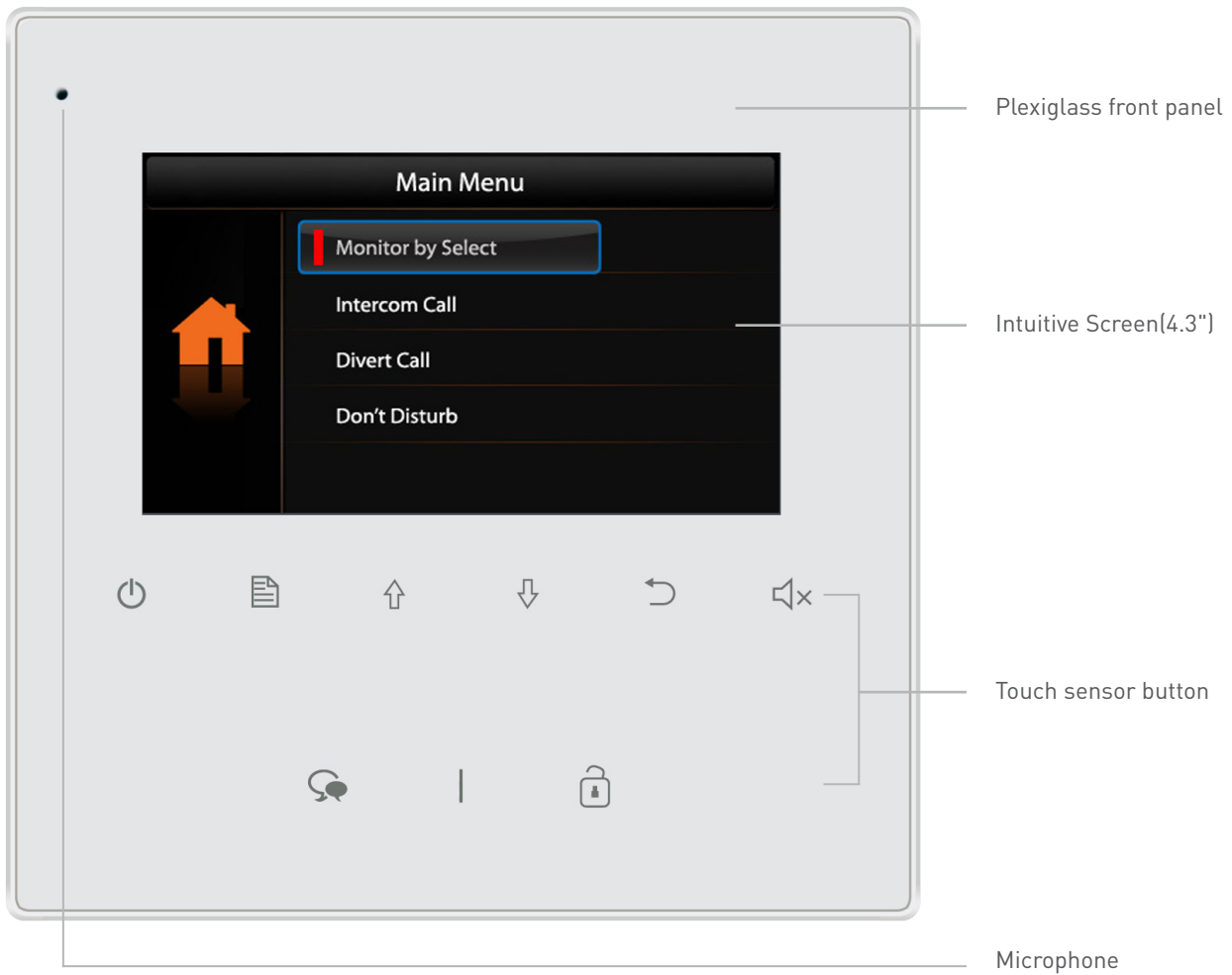




## 2-Wire Indoor Monitor DT43

**V-TOK**

Effective Solution to Security Needs



## A new experience

Simple and intuitive design. Its 4.3 inch TFT screen ensures high quality performance, Thanks to its intuitive graphic menu, the user may control each of the function included in the monitor. Step by step.

Its capacitive touch buttons on the panel makes the operation more intuitive and convenient.

- Hands-free communication
- 4.3" colour TFT screen
- Magnetic bracket mounted
- Plexiglass front panel
- Touch sensor button
- Slim&ultra thin design

- ⏻ Shut off the screen
- 📄 Access to the menu
- ⬆️ Navigation button to upward
- ⬇️ Navigation button to downward
- ↶ Return to last menu
- 🔇 No disturb mode
- 🗣️ Communication with door station
- 🔒 Release the door





### Multi language supported

The operating languages can be customized, it can satisfy different customers needs.

### Touch sensor button

It allows smooth activation and great flexibility with high sensitive. All functions may be controlled by these buttons.

### Slim & Ultra-thin design

17mm thickness only.  
The slim design makes the monitor more smart and its saving room and getting more enjoyable.

### Plexiglass front panel

The flat design with plexiglass front panel against scratch and makes the clean more easier and quicker.



## Advanced functional features

- **Divert call**

Calling can be transfer to mobile phone via the GSM unit.  
3 situations can be selected(No divert;If no answer;Simultaneously).

- **Light control**

Staircase light available via RLC unit.

## Basic functional features

- **No disturb**

Mute function  
Can be set for a time period of 1 hour, 8 hours or always.

- **Ring tones**

Total 12 melodies available to users.  
Tunes can be set different to distinguish different calling source.  
9 level ring volume settings.

- **Ringer&door bell connection**

Additional ringer&door bell can be connected to monitor directly.

- **2nd lock control**

Max.10A relay for lock of strong power consumption(DT-RLC).

- **Door lock release**

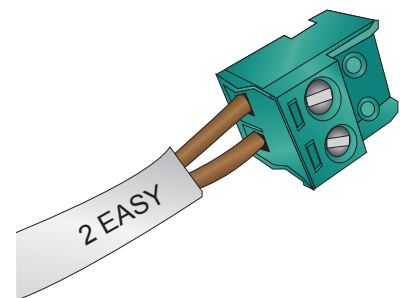
1~9 seconds available to release the door.

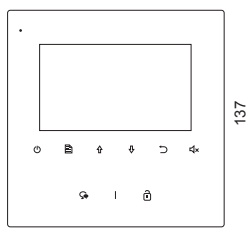
- **Monitoring**

The monitoring time setting range is 30s~10min.  
Door opening supported in monitoring mode.

- **Answering and hanging up**

Hands free answering.  
A long talking time period of 90 seconds.

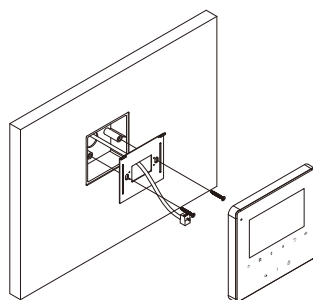




137



17



## Surface Mounted

Surface mounted, super slim and thin designed stands out only 17 mm from the wall.

Its magnetic mounting bracket makes the mounting more easier. Saving time and getting more...

Dimension

137x137x17

(width) x (height) x (depth) mm



## Contact us

### Guangzhou Video-Tech Electronics Co., Ltd

F6/No.7 building  
Huangzhou Industrial Area  
Chebei Road  
TianHe district  
Guangzhou, China

Phone +86 / 20 / 38261205

Fax +86 / 20 / 38628806

[www.v-tec.cn](http://www.v-tec.cn)

