

# DHI-ARM310-W2

## Wireless input expander



- Six types of alarm: intrusion, medical, fire, emergency, gas, and tamper.
- NC and NO are available for alarm inputs (NO by default).
- Signal strength detection.
- Low battery alarm.
- Temperature monitoring.
- Frequency hopping function and two-way communication technology ensure communication stability.
- Cloud update and automatic recovery from update failure.

### System Overview

Wireless input expander is a conversion device that connects to a detector through wired mode, and sends the message in wireless mode to the security system. It can be set up via the DMSS app for iOS and Android phones.

### Scene

Mainly applied for villas, shops, apartments, etc.

### Technical Specification

#### Port

Indicator Light	1 × green alarm indicator
Button	1 × power button
Protection Zone	1-channel dry contact input

#### Function

Tampering Alarm	Yes
Remote Upgrade	Cloud update
Low Battery Alarm	Yes
Test Mode	Yes
Search	Signal strength detection

#### Wireless

Carrier Frequency	433.1 MHz–434.6 MHz
Communication Distance	Up to 1,000 m (3,280.84 ft) in an open space
Communication Mechanism	Two-way
Frequency Hopping	Yes

Encryption Mode	AES128
-----------------	--------

#### General

Power Supply Mode	CR123A battery
Power Consumption	Max. 70 mW
Operating Temperature	−10 °C to +55 °C (+14 °F to +131 °F) (indoor)
Operating Humidity	10%–90% (RH)
Dimensions	100.2mm × 20.8mm × 20.3mm (3.94" × 0.82" × 0.80")
Package Dimensions	135.0 mm × 98.5 mm × 27.8mm (5.31" × 3.88" × 1.09")
Installation Mode	Bracket mount
Net Weight	70 g (0.15 lb)
Gross Weight	115 g (0.25 lb)
Certification	CE
Battery Life	NO: 5 years NC: 2 years
Casing Material	PC + ABS

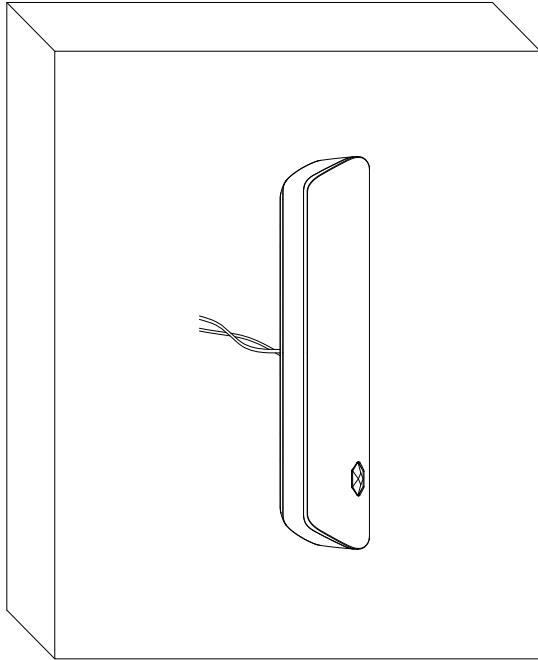
#### Temperature

Measurement Range	−15 °C to +65 °C (+18.8 °F to +149 °F) (indoor)
Measurement Precision	± 1 °C (± 33.8 °F)
Resolution	1 °C (33.8 °F)

**Ordering Information**

Type	Part Number	Description
Wireless input expander	DHI-ARM310-W2	Single input transmitter

**Installation**



**Application**



Alarm Hub



Wireless Input Expander

cable



Wired Detector

**Dimensions (mm[inch])**

